

TECHNICAL SPECIFICATIONS

Robot Specifications

Weight	< 3kg (when equipped with heavy all-terrain wheels)
Dimensions	31,5 cm x 24,5 cm x 17 cm
Speed	0-4 km/h and 0-10 km/h ranges (operator selectable) Continuous speed adjustment inside one range
Obstacle clearance	9 cm (standard heavy all-terrain wheels)
Endurance	Over 5 hours (static observation) Over 3 hours (standard mission profile: Moving 75% of the time at 3.6 km/h on flat ground)
Charging time	< 1 hour
Waterproofness	Standard: IP65 Optional: Improved waterproofness (support total immersion for a short while)
Extension	Equipped with two Picatinny rails for additional equipment

Shock Resistance [MIL-STD-810 / STANAG 4370]

Multiple drops on concrete: over 3m height
Horizontal throws: over 5 m

Sound level (ambient: 35 db SPL)

- 39 db SPL (2m distance; 4 km/h)
- 46 db SPL (2m distance; 10 km/h)

Communication

Radio Range (OFDM) Over 200 m LOS
Over 50 m inside buildings (depending on type of walls and local radio jamming)

Perception

Day Vision	Front HD color (720p) with 2 selectable Fields of View
Night Vision	Integrated visible and infrared lights compatible with on-board day camera Integrated thermal camera: - Detection distance (man): 80 m - Reconnaissance distance (man): 20 m - Identification distance (man): 10 m
Recording	Video + snapshots On Control Station HDD and/or on removable USB stick
Audio	On-board microphone

Logistic and Support

- Charging kit from 110V-220V main
- Charging kit from standard 24V vehicle power
- "1-click" Replaceable wheels
- Transport kit (rugged case)

Rugged Tablet or Smartphone



Based on ultra-ruggedized tablet (FZ-M1), 3 axis joystick, long range radio modules, ergonomic Man-Machine Interface, real time display of video channel.

Available Android and iOS applications for smartphones and tablets.

Vehicle Mounted Control Station



Based on ultra-ruggedized tablet (CF-19/CF-20), 3 axis joystick + buttons, long range radio modules.

Ergonomic Man-Machine Interface, real time display of video channel and map operation.



Your Representant :



Ph: +61 (0) 7 3308 9300
Mob: +61 (0) 411 598 338
Email: Chris@epequip.com
www.epequip.com

nexter
ROBOTICS

13 route de la Minière - 78034 Versailles Cedex - France
Phone: + 33 1 39 49 33 22 - Fax: + 33 1 39 49 85 22
www.nexter-robotics.com - contact@nexter-robotics.com

Photos Copyright Nexter/Aspheri/Moreau. Imagery used for illustration only. Specifications are subject to change without notice.
©2017 Nexter Systems. All right reserved. NERVA® is a registered trademark of Nexter Systems.

NERVA® S

NERVA® S

**MULTI-PURPOSE MINI ROBOT FOR
RECONNAISSANCE AND SUPPORT
TO OPERATIONS**

1ST RESPONDER CAPABILITIES

- Ultra robust, shock resistant, waterproof
- Can be used by dismounted personal or any vehicle
- Can be easily operated from any standard equipment
- Extremely short training time, a few minutes
- Standard version overcomes up to 9 cm height

VERSATILITY & DYNAMICS IN OPERATION

Nerva® S can be integrated into combat systems, it's a robust and reliable mobile platform, intuitive and very easy to use.

MOST UNIQUE MOBILE PLATFORM

NERVA® S is a 2-wheeled compact robotic platform, equipped with one High-Definition camera, one thermal camera and one microphone; it can collect remote information in hostile or unknown environment (even with CBRN and IED threats).

As a highly rugged platform, NERVA® S can be thrown without any damage on concrete floors at distances over several meters, even from a moving vehicle; its weight and its hardness make it well able to break a window.

Very compact when in transport configuration, NERVA® S is powered in seconds; the tail is used for balancing the platform and, when required, to throw it.

MAIN CHARACTERISTICS



DESCRIPTION → → FEATURES

LONG RANGE OFDM

More than 200m in Line Of Sight (LOS), more than 50m in urban areas.

1-CLICK Wheels

Changing the wheels can be done easily in 1-click, no tool required.

WHITE & IR LIGHTS

Integrated high power days lights (front camera) and high power infrared lights (front camera).

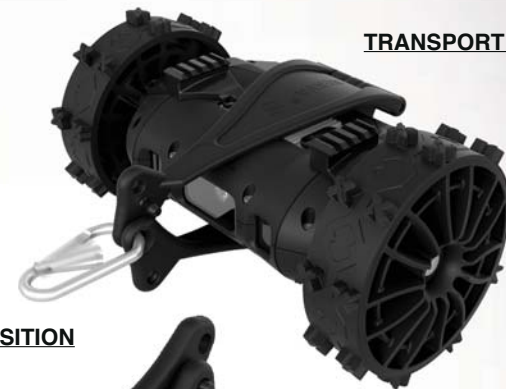
FRONT HD CAMERA

1280 x 720 pixels area, 110° instantaneous horizontal FOV, 60° instantaneous vertical FOV, virtual Pan & Tilt with no moving part, day light and infrared sensibility.

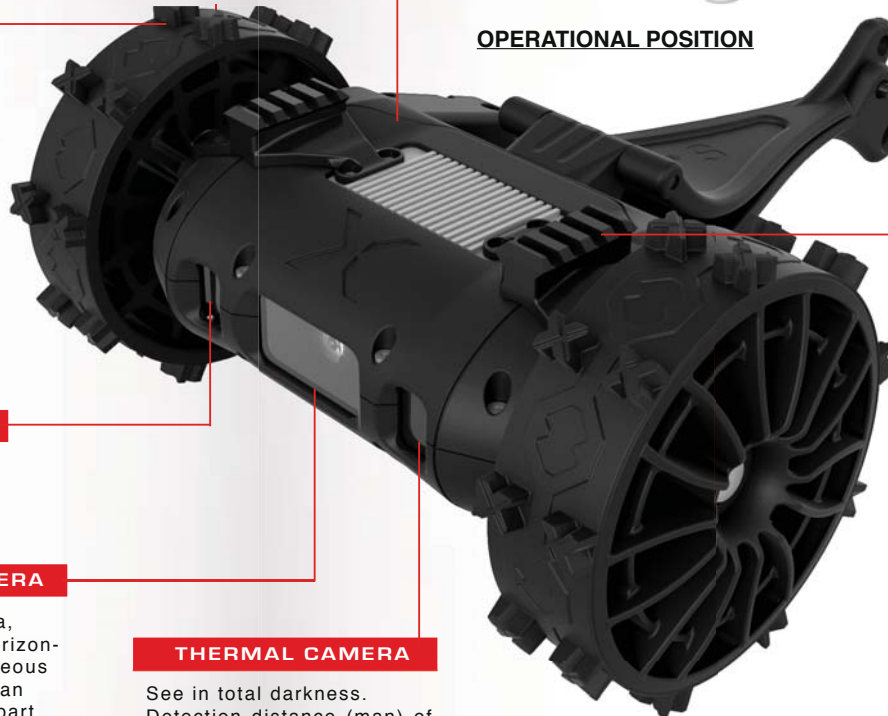
THERMAL CAMERA

See in total darkness. Detection distance (man) of 80m, Reconnaissance distance (man) of 20m.

TRANSPORT POSITION



OPERATIONAL POSITION



EXTENSION

Mechanical and electrical interfaces to operate additional standard or dedicated payloads.

→ 1-CLICK SYSTEM / NO TOOL REQUIRED



Throwable



Easy to Use



Night Vision onboard

→ KIT CONTENT

- Robot + Command and Control Station (CCS)
- Rugged Case
- User Manual
- Batteries Charging Systems

→ OPTIONAL

- NERVA® S accessories
- NERVA® S supports
- NERVA® S maintenances

It includes a tactical rail meeting STANAG 4694 to provide an anchor point for payloads